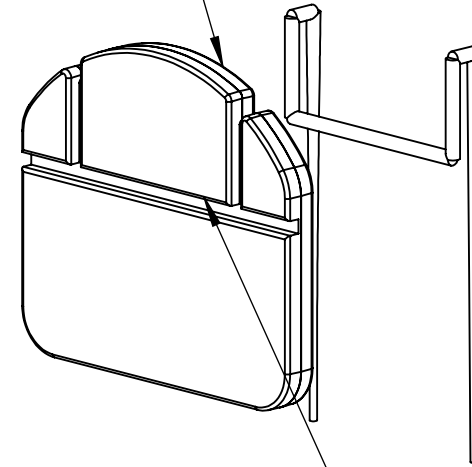
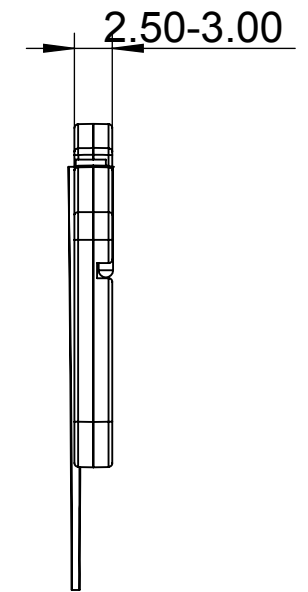
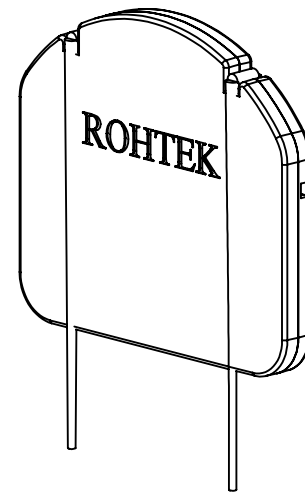
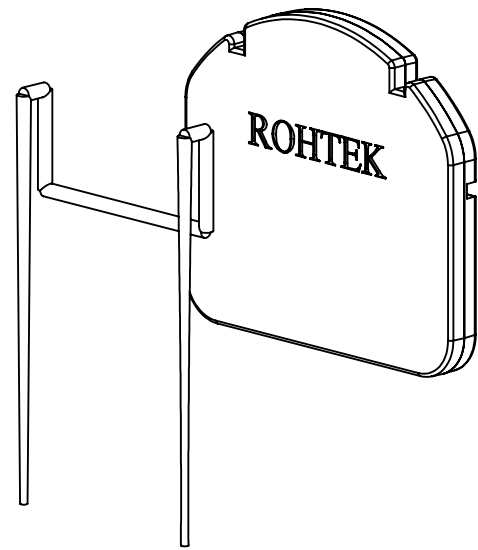


THE INFORMATION CONTAINED IN THIS DRAWING IS THE SOLE PROPERTY OF ROHTEK LLC. ANY REPRODUCTION IN PART OR WHOLE WITHOUT THE WRITTEN PERMISSION OF ROHTEK LLC IS PROHIBITED.

cubicle pin is snapped into the holder

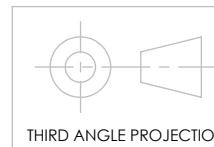


undercut for cubicle pin

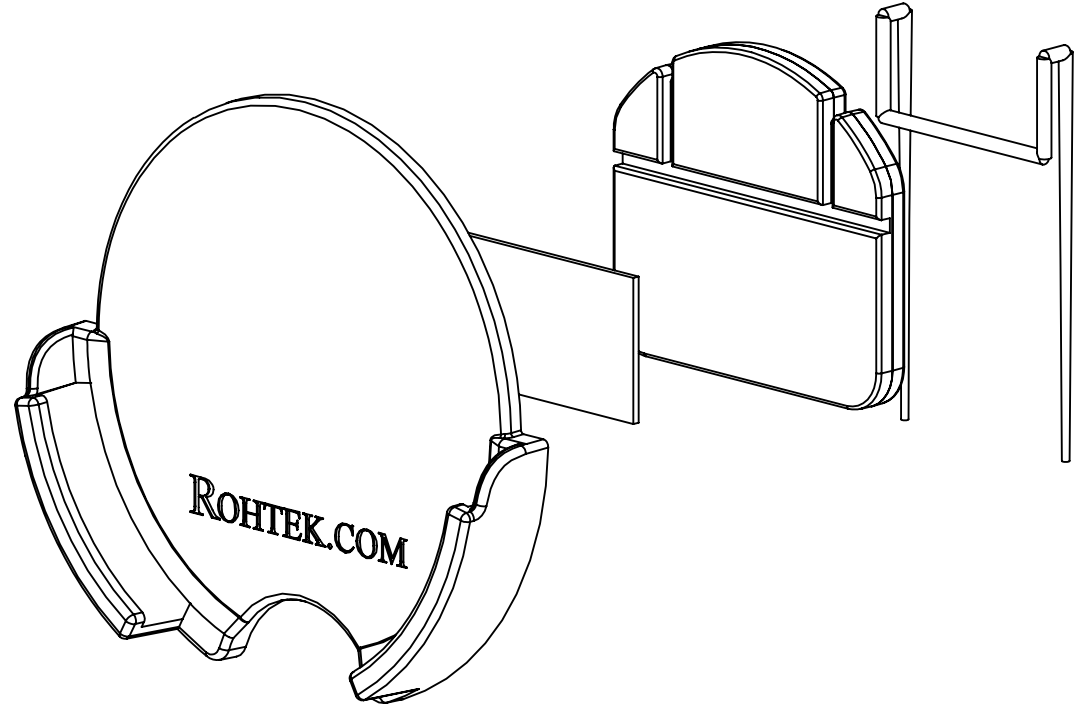
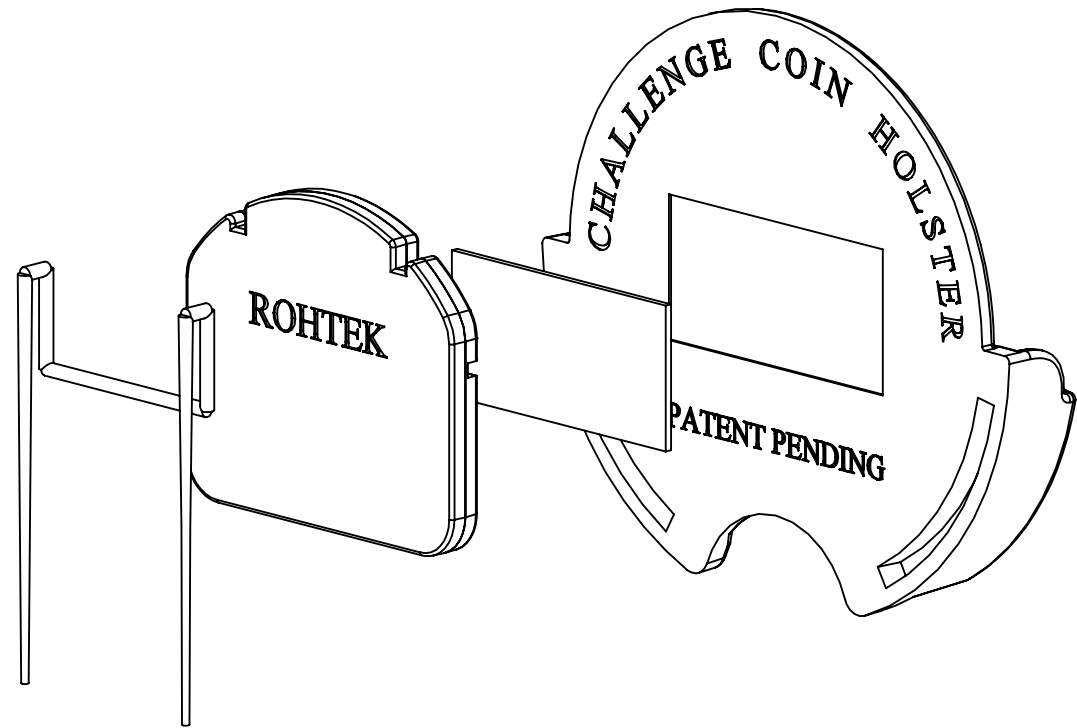


SIDE VIEW

PART#	20121010.001[A]	ECO/ECN#		DATE	2012-10-10
UNLESS OTHERWISE SPECIFIED DIMENSIONS ARE IN MM[IN]			CAD GENERATED DRAWING, DO NOT MANUALLY UPDATE		
ALL DIMENSIONS ±.10			APPROVALS		
ANGLES ±1°			DATE		
MACHINED INSIDE RADIUS .10 MAX.			DRAWN		
MATERIAL			CHECKED		
FINISH			RESP ENG		
PAGE 1 OF 2			MFG ENG		
			QUAL ENG		
ROHTEK LLC		ROHTEK PIN HOLDER		SIZE	REV.
SCALE 2:1		SHEET		B	A
BOM		BOM			



THE INFORMATION CONTAINED IN THIS DRAWING IS THE SOLE PROPERTY OF ROHTEK LLC. ANY REPRODUCTION IN PART OR WHOLE WITHOUT THE WRITTEN PERMISSION OF ROHTEK LLC IS PROHIBITED.



PART# 20121010.001[A]		DATE 2012-10-10	
DRAWN BY			
UNLESS OTHERWISE NOTED HOLSTER FIGURE ARE FOR REFERENCE ONLY		ROHTEK LLC	
		ROHTEK PIN HOLDER	
ECO/ECN#	SIZE B	DESIGNER	REV. A
SCALE 2:1		SHEET REFERENCE	